



SM39

Headset Condenser Microphone

SM39 headset microphone user manual. Includes setup and cleaning instructions.
Version: 0.2 (2025-A)

Table of Contents

SM39 Headset Condenser Microphone	3	Cleaning the Microphone	5
General Description	3	Specifications	6
Setting up the Microphone	3	Certifications	7

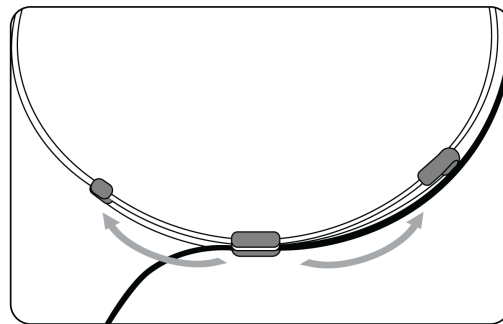
SM39 Headset Condenser Microphone

General Description

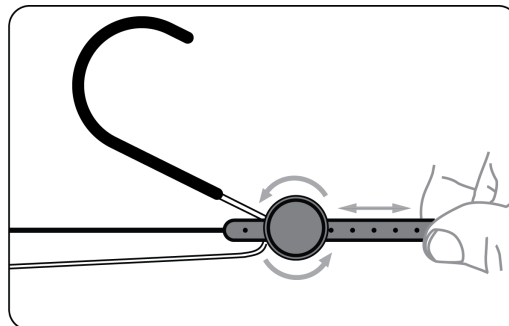
The SM39 cardioid headset microphone is ideal for both speech and performance applications. The microphone features an adjustable headset and boom arm and is available in TQG and LEMO connections. Each microphone is supplied with a magnetic windscreen, snap fit windscreen, and cord clip.

Setting up the Microphone

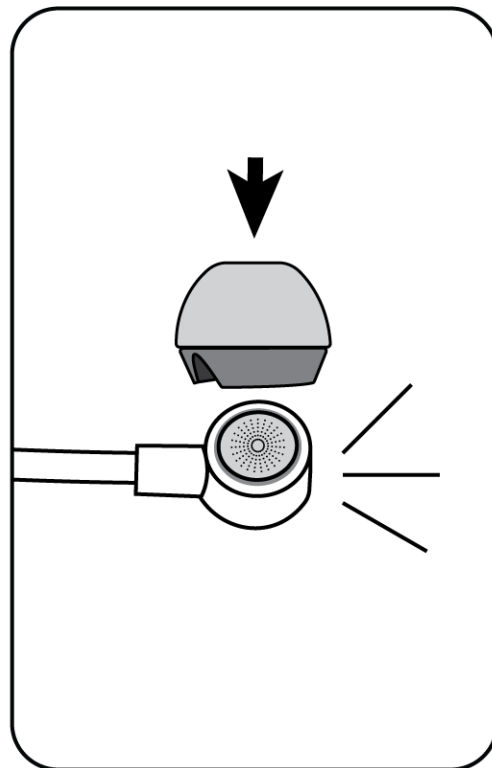
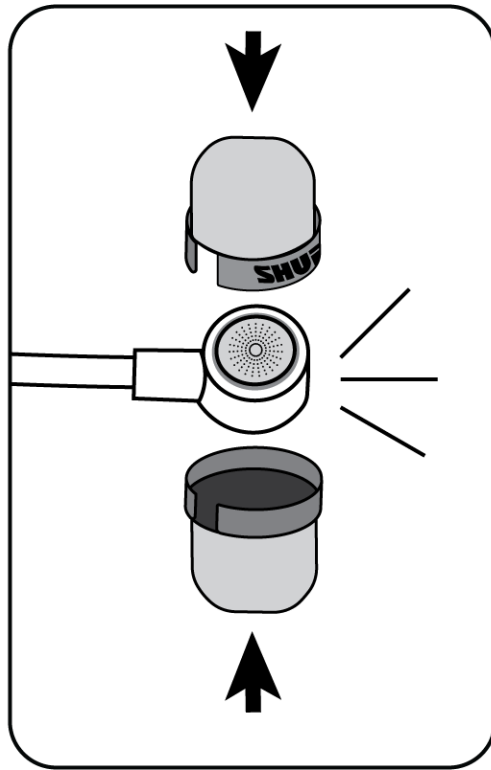
Adjust headband width.



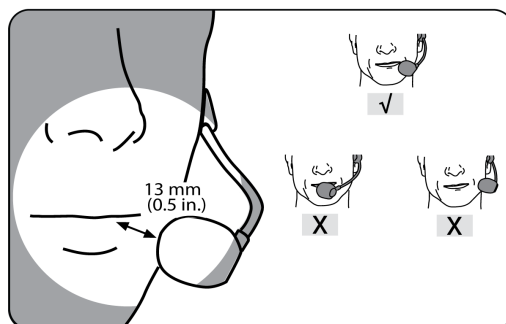
Turn counter-clockwise to loosen and adjust the boom arm. Turn clockwise to tighten.



Apply the magnetic or snap-fit windscreen.



Bend the boom arm into place and adjust the position.



Cleaning the Microphone

The SM39 headset and windscreen can be carefully cleaned to maintain sanitation between uses. Only use approved cleansing agents to keep the SM39 operating properly. When cleaning the SM39, ensure that the headset and windscreen are entirely dry before reassembling them.

Cleaning the Headset

Keep cleaning agents away from the element of the microphone at the end of the boom arm.

The following cleaning agents are safe for the SM39 headset:

- Mild soapy water, such as liquid dish soap
- Clorox[®] disinfecting wipes
- Isopropyl Alcohol
- Hydrogen Peroxide
- Lysol[®] disinfectant spray

To clean the headset:

1. Remove any external windscreens from the element of the microphone.
2. Working in sections, apply the cleaning agent to a section of the headset with a clean cloth. Avoid getting any moisture on the element, and do not apply cleaning agents to the microphone capsule directly.
3. Dry the headset after cleaning each section to keep liquid away from the element.
4. Repeat steps 2 and 3 with the other sections of the headset.

Cleaning the Windscreens

Replacing windscreens is the best way to ensure a sanitary windscreen. However, foam windscreens can be cleaned carefully with the right cleaning agents.

The following cleaning agents are safe for the SM39 windscreens:

- Warm water
- Hydrogen peroxide

To clean windscreens:

1. Remove the windscreen from the headset.
2. Rinse the removable windscreen with warm water or hydrogen peroxide. Avoid using soap, as the suds will be difficult to rinse out.
3. Gently squeeze the windscreen to remove excess liquid.

- Allow the windscreen to completely dry before reattaching it to the SM39 headset.

Specifications

Type

Electret Condenser

Frequency Response

70 Hz to 20,000 Hz

Polar Pattern

Unidirectional (Cardioid)

Output Impedance

@ 1 kHz, using RPM400 Preamplifier

95 Ω

Sensitivity

SM39-TQG	-47.2 dBV/Pa
SM39-LEMO	-40.3 dBV/Pa

Signal-to-Noise Ratio

SM39-TQG	70.9 dB
SM39-LEMO	71.9 dB

Maximum SPL

SM39-TQG	144.2 dB SPL
SM39-LEMO	134.1 dB SPL

Dynamic Range

SM39-TQG	121.1 dB
SM39-LEMO	112 dB

Self Noise

SM39-TQG	-118.2 dBV-A
SM39-LEMO	-112.2 dBV-A

Equivalent Output Noise

SM39-TQG	23.1 dB SPL-A
SM39-LEMO	22.1 dB SPL-A

Power Requirements

Recommended operating voltage provided at microphone connector on pin 2 relative to pin 1.

+5 V DC

Polarity

Positive pressure on diaphragm produces positive voltage on pin 3 with respect to pin 1.

Cable

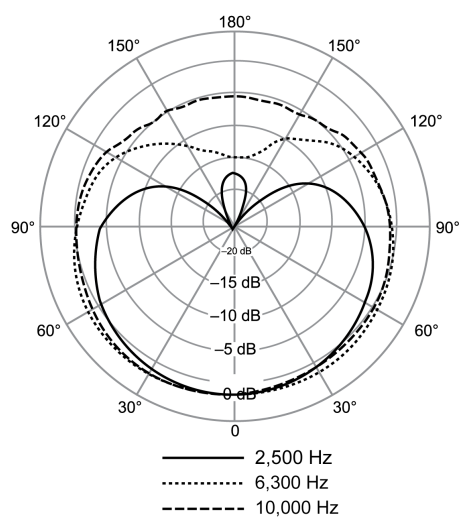
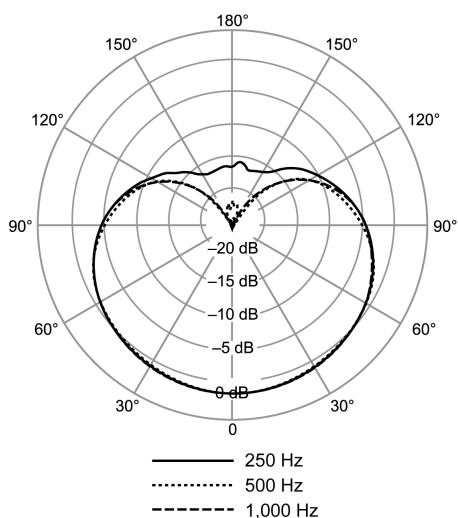
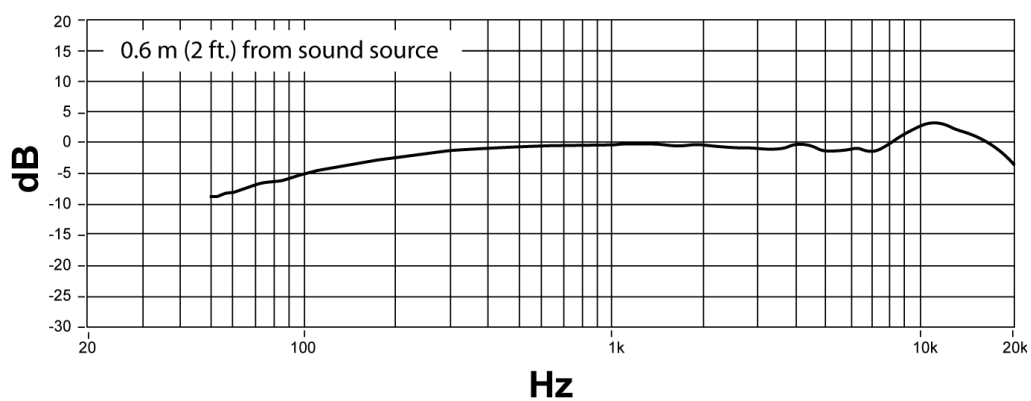
1.5 m (59 in.)

Connector

TA4F or LEMO

Net Weight

SM39-TQG	55.4 g
SM39-LEMO	54.4 g



Certifications

Note: Testing is based on the use of supplied and recommended cable types. The use of other than shielded (screened) cable types may degrade EMC performance.

The CE Declaration of Conformity can be obtained from: www.shure.com/europe/compliance

Authorized European representative:

Shure Europe GmbH

Global Compliance

Jakob-Dieffenbacher-Str. 12

75031 Eppingen, Germany

Phone: +49-7262-92 49 0

Email: info@shure.de

www.shure.com