

**SHURE**

# NEXADYNE™ 2 KICK DRUM MICROPHONE WITH REVONIC™ TECHNOLOGY

## OVERVIEW

The Nexadyne 2 Kick Drum Microphone is a supercardioid dynamic microphone for professional performance. The Nexadyne 2 is designed specifically to maximize the frequency range of the kick drum and other lower-frequency instruments from patented Shure Revonic dual-engine transducer technology, with two precisely calibrated transducers working together to achieve optimal performance. The result is a high-performing microphone that combines state-of-the-art acoustic signal processing, exceptional supercardioid polar pattern linearity, and noise reduction. Built with the consistency, durability, and performance that only Shure can provide, the Nexadyne 2 ships with a discreet black finish and included zipper pouch.

## FEATURES

- Acoustic signal processing of the dual engine design enables exceptional signal clarity, reducing the need for typical corrective EQ
- Industry-leading Shure reliability standards provides innovation with confidence
- Dent-resistant hardened grille
- XLR connection with black finish



**Nexadyne™ 2**  
Kick Drum Microphone

## SPECIFICATIONS

(SUBJECT TO CHANGE)

<b>Type</b>	Dynamic (moving coil) with secondary vibration-cancelling dynamic transducer
<b>Polar Pattern</b>	Supercardioid
<b>Frequency Response</b>	20 Hz–16 kHz
<b>Output Impedance @1 kHz</b>	225 Ω
<b>Sensitivity Open circuit voltage @1 kHz, typical</b>	-66.0 dBV/Pa (0.5 mV/Pa) 1 Pa = 94 dB SPL
<b>Polarity</b>	Positive pressure on diaphragm produces positive voltage on pin 2 with respect to pin 3
<b>Weight</b>	535 g (1.18 lbs)
<b>Connector</b>	Three-pin professional audio (XLR), male
<b>Housing</b>	Die-cast zinc with black paint

## AVAILABLE MODELS

<b>NXN2</b>	Nexadyne Supercardioid Dynamic Kick Drum Microphone
-------------	---

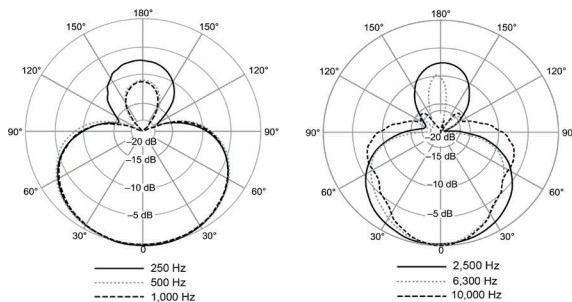
## FURNISHED ACCESSORIES

<b>95D2313</b>	Zippered bag
<b>31A1856</b>	5/8" to 3/8" brass thread adapter

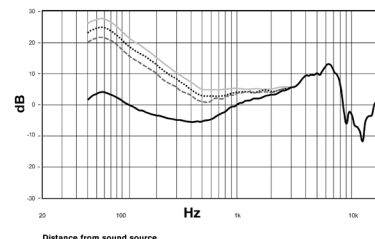
## REPLACEMENT PARTS

<b>RPM284</b>	Replacement Grille for Nexadyne 2
---------------	-----------------------------------

## POLAR PATTERN



## FREQUENCY RESPONSE



**SHURE**

# NEXADYNE™ 5 GUITAR AMP MICROPHONE WITH REVONIC™ TECHNOLOGY

## OVERVIEW

The Nexadyne 5 Guitar Amp Microphone is a supercardioid dynamic microphone for professional performance. The Nexadyne 5 is designed specifically to smoothly reproduce the frequency range of signature amplified guitar tones through its patented Shure Revonic dual-engine transducer technology. With two precisely calibrated transducers working together to achieve optimal performance, this high-performing microphone combines state-of-the-art acoustic signal processing, exceptional supercardioid polar pattern linearity, and noise reduction. Built with the consistency, durability, and performance that only Shure can provide, the Nexadyne 5 ships with a discreet black finish, and included mic clip and zipper pouch.

## FEATURES

- Acoustic signal processing of the dual engine design enables exceptional signal clarity, reducing the need for typical corrective EQ
- Industry-leading Shure reliability standards provides innovation with confidence
- Dent-resistant hardened grille
- XLR connection with black finish

## SPECIFICATIONS

(SUBJECT TO CHANGE)

<b>Type</b>	Dynamic (moving coil) with secondary vibration-cancelling dynamic transducer
<b>Polar Pattern</b>	Supercardioid
<b>Frequency Response</b>	50 Hz–16 kHz
<b>Output Impedance @ 1 kHz</b>	335 Ω
<b>Sensitivity</b> <i>Open circuit voltage</i> <i>@ 1 kHz, typical</i>	–61.0 dBV/Pa (0.9 mV/Pa) 1 Pa = 94 dB SPL
<b>Polarity</b>	Positive pressure on diaphragm produces positive voltage on pin 2 with respect to pin 3
<b>Weight</b>	295 g (0.65 lbs.)
<b>Connector</b>	Three-pin professional audio (XLR), male
<b>Housing</b>	Die-cast aluminum with black paint

## AVAILABLE MODELS

<b>NXN5</b>	Nexadyne Supercardioid Dynamic Guitar Amp Microphone
-------------	--

## FURNISHED ACCESSORIES

<b>A25E</b>	Microphone clip
<b>95D2313</b>	Zippered bag
<b>31A1856</b>	5/8" to 3/8" brass thread adapter

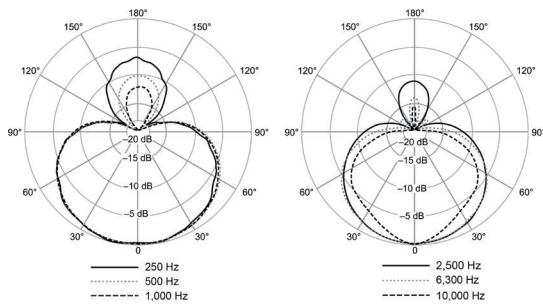
## REPLACEMENT PARTS

<b>RPM285</b>	Replacement Grille for Nexadyne 5
---------------	-----------------------------------

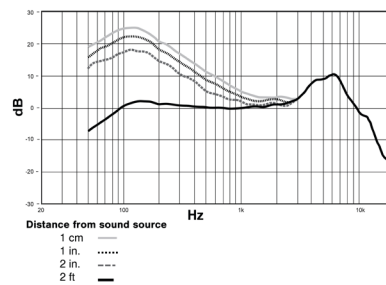


Nexadyne™ 5  
Guitar Amp Microphone

## POLAR PATTERN



## FREQUENCY RESPONSE



**SHURE**

# NEXADYNE™ 6 TOM/SNARE DRUM MICROPHONE WITH REVONIC™ TECHNOLOGY

## OVERVIEW

The Nexadyne 6 Tom/Snare Microphone is a supercardioid dynamic microphone for professional performance. The Nexadyne 6 is designed specifically to minimize bleed and isolate the full sound of tom and snare drums via patented Shure Revonic dualengine transducer technology. With two precisely calibrated transducers working together to achieve optimal performance, this high-performing microphone combines state-of-the-art acoustic signal processing, exceptional supercardioid polar pattern linearity, and noise reduction. Built with the consistency, durability, and performance that only Shure can provide, the Nexadyne 6 ships with a discreet black finish and included AD6 Drum Mount and zipper pouch.

## FEATURES

- Acoustic signal processing of the dual engine design enables exceptional signal clarity, reducing the need for typical corrective EQ
- Industry-leading Shure reliability standards provides innovation with confidence
- Dent-resistant hardened grille
- XLR connection with black finish

## SPECIFICATIONS

(SUBJECT TO CHANGE)

<b>Type</b>	Dynamic (moving coil) with secondary vibration-cancelling dynamic transducer
<b>Polar Pattern</b>	Supercardioid
<b>Frequency Response</b>	50 Hz–16 kHz
<b>Output Impedance @ 1 kHz</b>	335 Ω
<b>Sensitivity</b> <i>Open circuit voltage @ 1 kHz, typical</i>	–61.0 dBV/Pa (0.9 mV/Pa) 1 Pa = 94 dB SPL
<b>Polarity</b>	Positive pressure on diaphragm produces positive voltage on pin 2 with respect to pin 3
<b>Weight</b>	245 g (0.54 lbs.)
<b>Connector</b>	Three-pin professional audio (XLR), male
<b>Housing</b>	Die-cast zinc with black paint

## AVAILABLE MODELS

<b>NXN6</b>	Supercardioid Dynamic Microphone with A6D Drum Mount
<b>NXN6 3-Pack</b>	Set of Three Supercardioid Dynamic Microphones with A6D Drum Mounts

## FURNISHED ACCESSORIES

<b>A6D</b>	NXN XLR instrument microphone drum mount
<b>95D2313</b>	Zippered bag

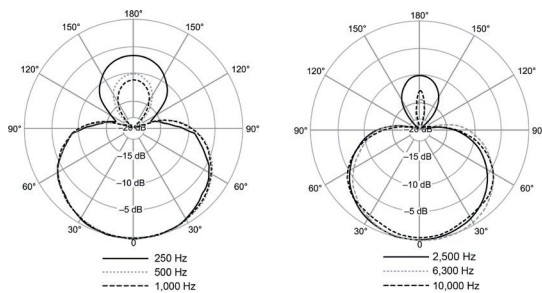
## REPLACEMENT PARTS

<b>RPM286</b>	Replacement Grille for Nexadyne 6
---------------	-----------------------------------



**NXN6**  
Nexadyne™ 6  
Tom/ Snare Drum Microphone

## POLAR PATTERN



## FREQUENCY RESPONSE

